

Enable-IT 860 XS PRO Gigabit Ethernet Extender Kit Quickstart Guide



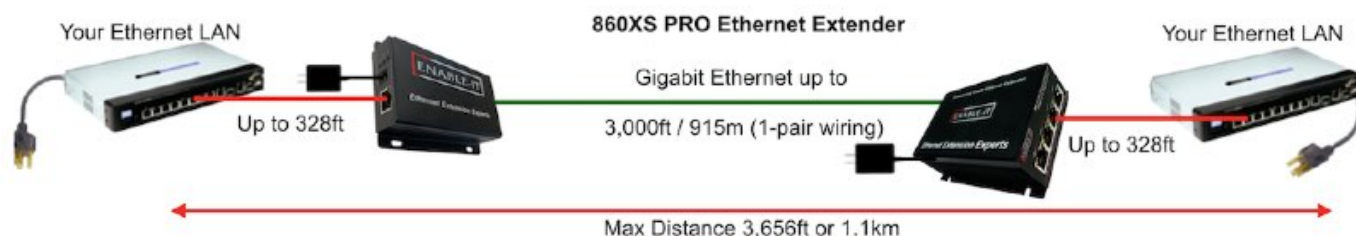
Professional Grade Networking

INSTALLING THE 860 XS PRO ETHERNET EXTENDER KIT

The Enable-IT 860X PRO Gigabit Ethernet Extenders have a distance restriction of 3,000ft (914m) over 1-pair of copper wiring from device extension to device extension. You can add an additional 328ft (100m) onto the end of each 860X PRO LAN output ports for a total distance of 3,656ft (1.1km) from device extension to device extension.

Therefore a site survey of the wiring and installation planning are highly recommended.

For highest performance use 100Mhz or higher rated wiring for the interlink wiring connection.



We highly recommend that you perform a quick out of the box test to ensure the working order of your Enable-IT 860 XS PRO Ethernet Extender units prior to installing. This will also serve to familiarize you with how easy the process should be. Follow the steps below to perform the Out Of the Box Test.

Step 1 - Attach the 12V DC power adapter to each 860XS PRO unit and power up the units. Each of the respective Power LEDs will indicate the units are receiving power.

Step 2 - Connect the 860XS PRO RJ-45 Interlink ports together using one of the Ethernet LAN Patch cords provided – as shown by the green line connecting the ports in the diagram above.

On both units, the green Link LED will blink rapidly when it sees the partner unit and connects successfully. The LAN Port LEDs will blink as they see passing traffic (data).

Step 3 - Next for a more detailed test and to confirm your LAN Equipment works with the 860XS PRO, connect your Ethernet LAN to the 860X PRO Local unit LAN ports and the remote device/s to the 860XS PRO Remote 4 LAN ports and test connectivity. Green Blink rapidly when it sees the partner unit – indicates working connection – Green No LED indicates it cannot see the partner unit.

LAN/Power side LEDs

Mode – Green LED (LED On = CO unit, LED Off = CPE unit)

Link – Green Blink rapidly when it sees the partner unit – indicates working connection
– Green No LED indicates it cannot see the partner unit.

Power – Green Solid LED indicates the unit is receiving 12V power.

LAN Sync. – Green LED

Off = No device attached or detected.

On = Solid, indicates the presence of local LAN.

LAN Act. – Yellow LED

Blinking = Indicates the presence of local LAN traffic.

The Green Link LEDs will blink rapidly when it sees the partner unit and connects successfully.

This confirms basic proper operation of the units.

Performing the On-Site Installation

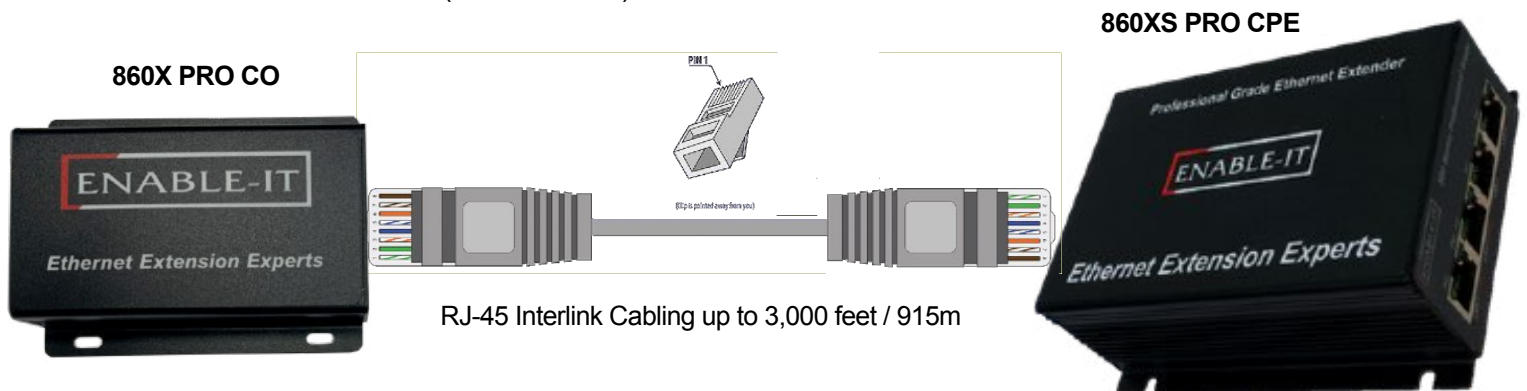
After removing the Enable-IT 860 XS PRO Ethernet Extender Kit from the box, and performing the Out Of The Box Testing (OOTBT), all that remains to install the unit on-site is to mount the unit, build the interconnect wiring, add voice lines if needed, and attach the LAN device cabling with the provided Ethernet Patch cords.

Building the 860 XS PRO Interlink Wiring

The most important aspect of the installation is the correct wiring of the Interlink cabling.

The 860 XS PRO Interlink port (RJ-45 Jack) carries this 1-pair signaling over the RJ-45 (pins 1 & 2) - and is used as the transport for Gigabit data.

For all wiring you will need to crimp a (LAN Standard) RJ-45 Male head to each end of the contiguous wire run and using the following (pins 1 & 2) straight through. We recommend using a category rated twisted pair cable as it is optimized for high throughput frequencies isolated from cross-talk noise. Insert the completed RJ-45 ends into the 860 XS PRO Interlink port on each 860 XS PRO unit (CO and CPE).



Cabling Devices to The Enable-IT 860 XS PRO Extended Ethernet Kit

Attach your remote LAN device to the 860 XS PRO CPE unit LAN ports with Ethernet patch cord provided. Attach your local LAN to the 860 XS PRO CO LAN ports with Ethernet patch cord provided. Attach the power adapters to both 860 XS PRO units.

Attach your local Interlink cabling end to the 860 XS PRO CO unit Interlink port – Then do the same for the remote end and plug into the 860 XS PRO CPE unit Interlink port. The Sync LED's will flicker in a sequence talking to each other until they go solid. Your equipment should now be powered up and functioning. LED indicators will provide visual operational status of the 860 XS PRO units.

Troubleshooting

First examine the backbone wiring pair and make sure you have solid connections. The Interlink green Link LED will blink rapidly when it sees the partner unit and connects successfully. If the Interlink Sync LED Link is off.... Then follow the steps below:

- 1) Make sure your wiring is straight through and not connected to any Telco punch down blocks; If so remove from the block and use Telco butt clips to bridge wire.
- 2) Check for a firm connection of the RJ-45 connections in each 860XS PRO unit, and power is applied to the 860XS PRO CO & CPE units.
- 3) **You can easily isolate any issue by performing an Out Of The Box Test (OOTBT). This test will confirm the correct working order of your Enable-IT 860 XS PRO Ethernet Extender Kit. This will point to a possible issue with your long distance Interlink wiring being affected by possible outside interference.**

TECHNICAL SUPPORT

Enable-IT, Inc.'s Customer Care Team support is available directly to customers and distributors. All support requests are processed through the online support portal. This allows us to provide assigned support ticket numbers in order to bring closure to any technical issues.

Online Technical Services

The Enable-IT Support [Portal](#) is available 24/7 to open a ticket or check the status of one. Please use this support website as your first source for help as it contains an on-line knowledge base of articles, documentation, FAQ's and other problem-solving resources. This web-based support resource provides the quickest solution to the most common technical support issues.

Returning Products for Warranty Repair

Enable-IT warrants to the original purchaser of this described Product ("you" or the "End User") that, for the limited lifetime period commencing on the date the Product was purchased (the "Warranty Period"), the Product will be substantially free from defects in materials and workmanship under normal use and conditions. Lifetime Warranty details here: <https://warranty.enableit.com>

This warranty does not apply to Products, which are resold as used, repaired or reconditioned. **Electrical or water damage is not covered under this warranty, extended warranties or Advanced Replacement Program (AREP).**

In order to obtain an authorized RMA approval, the End User must complete the required information online located at <https://support.enableit.com>. If you have questions or difficulty completing this information you may contact the Customer Care Team at 888-309-0910 between the hours of 7:00 a.m. and 4:00 p.m. Pacific Time(PST).

Returning Products for Refund

Enable-IT, Inc. offers a generous 45-Day refund on a single Ethernet Extender Kit only, and is subject to a 20% Restocking Fee. Shipments without a valid or authorized RMA number, or sent to our corporate Las Vegas address, can be refused and / or billed for additional shipping.

CONTACT US

Sales and Customer Care:

Toll Free US and Canada	888 309-0910
Other International	+1 702 924-0402
E Mail	sales@enableit.com support@enableit.com

RMA Support:

<https://support.enableit.com>